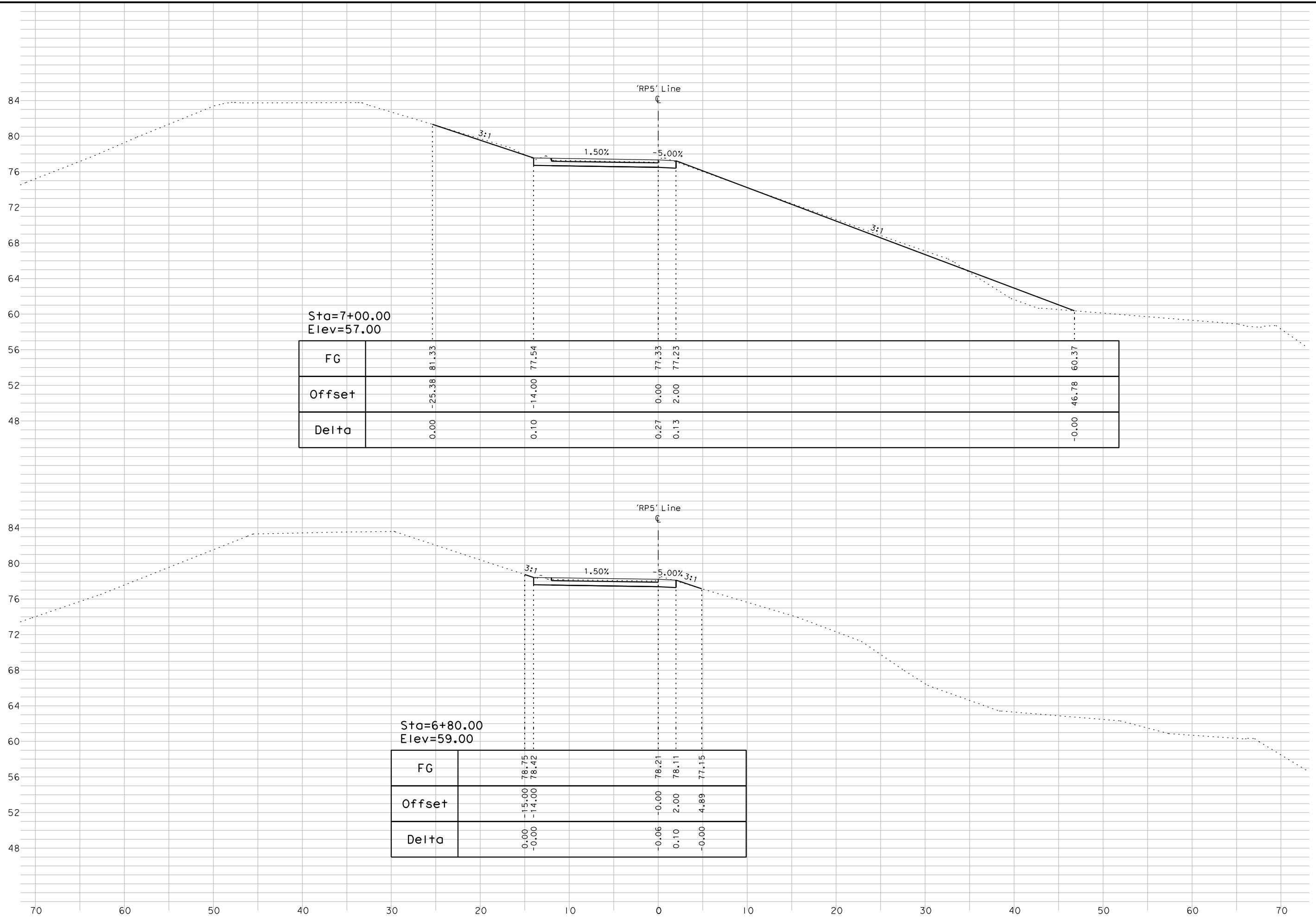


042617 A.II



Sta=7+00.00
Elev=57.00

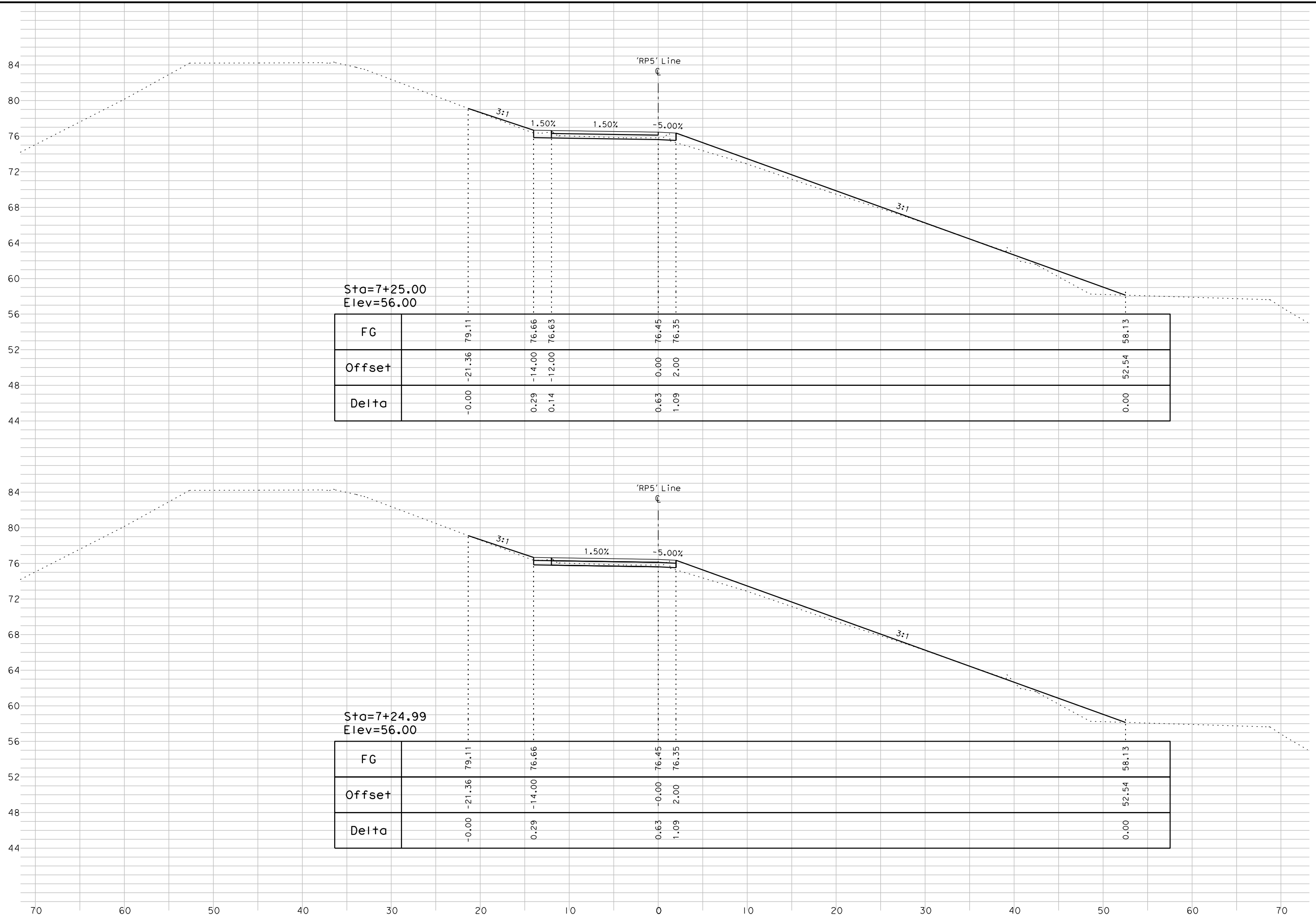
FG		81.33	77.54	77.33	77.23	60.37
Offset		-25.38	-14.00	0.00	2.00	46.78
Delta		0.00	0.10	0.27	0.13	-0.00

Sta=6+80.00
Elev=59.00

FG		78.75	78.42	78.21	78.11	77.15
Offset		-15.00	-14.00	0.00	2.00	4.89
Delta		0.00	-0.10	0.06	0.10	-0.00

DATE:	04/26/17	BY:	A.JL		
JOB NO.:	1858	SCALE:	1"=5' Horz 1"=5' Vert.		
PROJECT: 5th St. Bridge Replacment Project City of Yuba City					
CROSS SECTIONS					
File Name: 1858_RP5_X5_Sheet.dgn					
'RP5' Line - "Ramp #5"					
<table border="1"> <tr> <td>1</td> </tr> <tr> <td>21</td> </tr> </table>				1	21
1					
21					

04/26/17 A.II



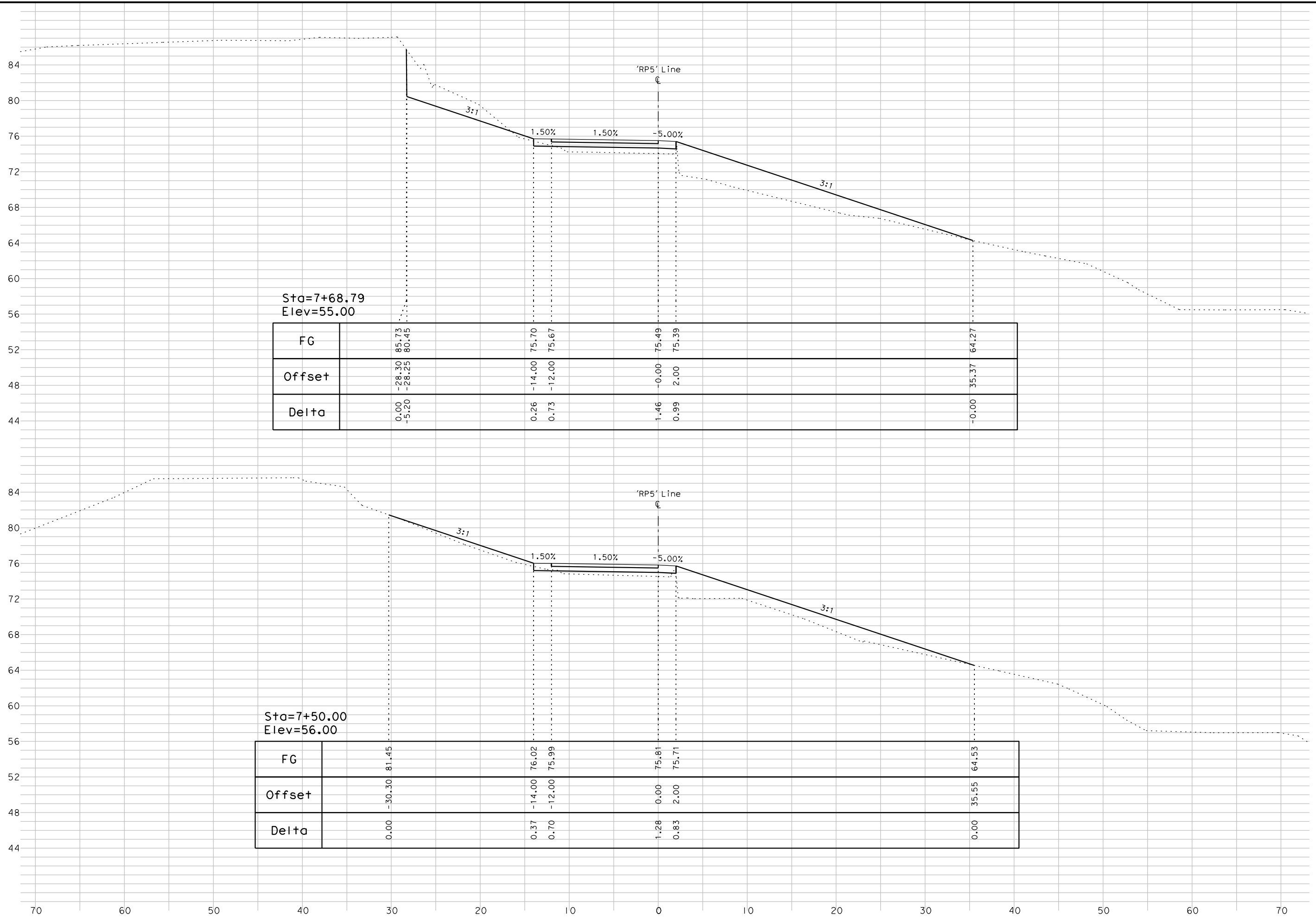
Sta=7+25.00
Elev=56.00

FG	79.11	76.66	76.63	76.45	76.35	58.13
Offset	-21.36	-14.00	-12.00	0.00	2.00	52.54
Delta	-0.00	0.29	0.14	0.63	1.09	0.00

Sta=7+24.99
Elev=56.00

FG	79.11	76.66	76.45	76.35	58.13
Offset	-21.36	-14.00	0.00	2.00	52.54
Delta	-0.00	0.29	0.63	1.09	0.00

042617 A.II



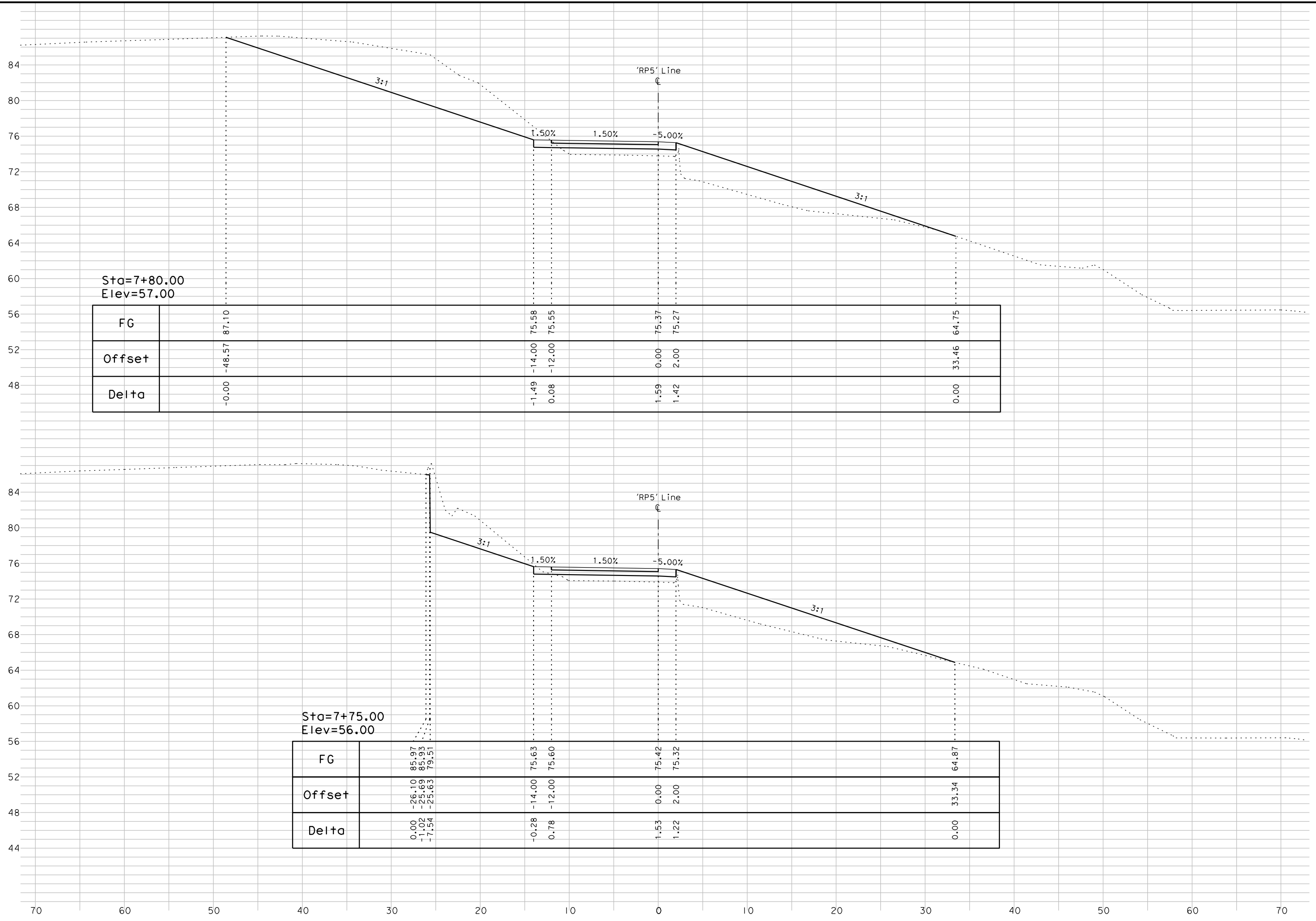
Sta=7+68.79
Elev=55.00

FG		85.73	80.45		75.70	75.67		75.49	75.39		64.27
Offset		-28.30	-28.25		-14.00	-12.00		-0.00	2.00		35.37
Delta		0.00	-5.20		0.26	0.73		1.46	0.99		-0.00

Sta=7+50.00
Elev=56.00

FG		81.45		76.02	75.99		75.81	75.71		64.53
Offset		-30.30		-14.00	-12.00		-0.00	2.00		35.55
Delta		0.00		0.37	0.70		1.28	0.83		0.00

042617_A.II



Sta=7+80.00
Elev=57.00

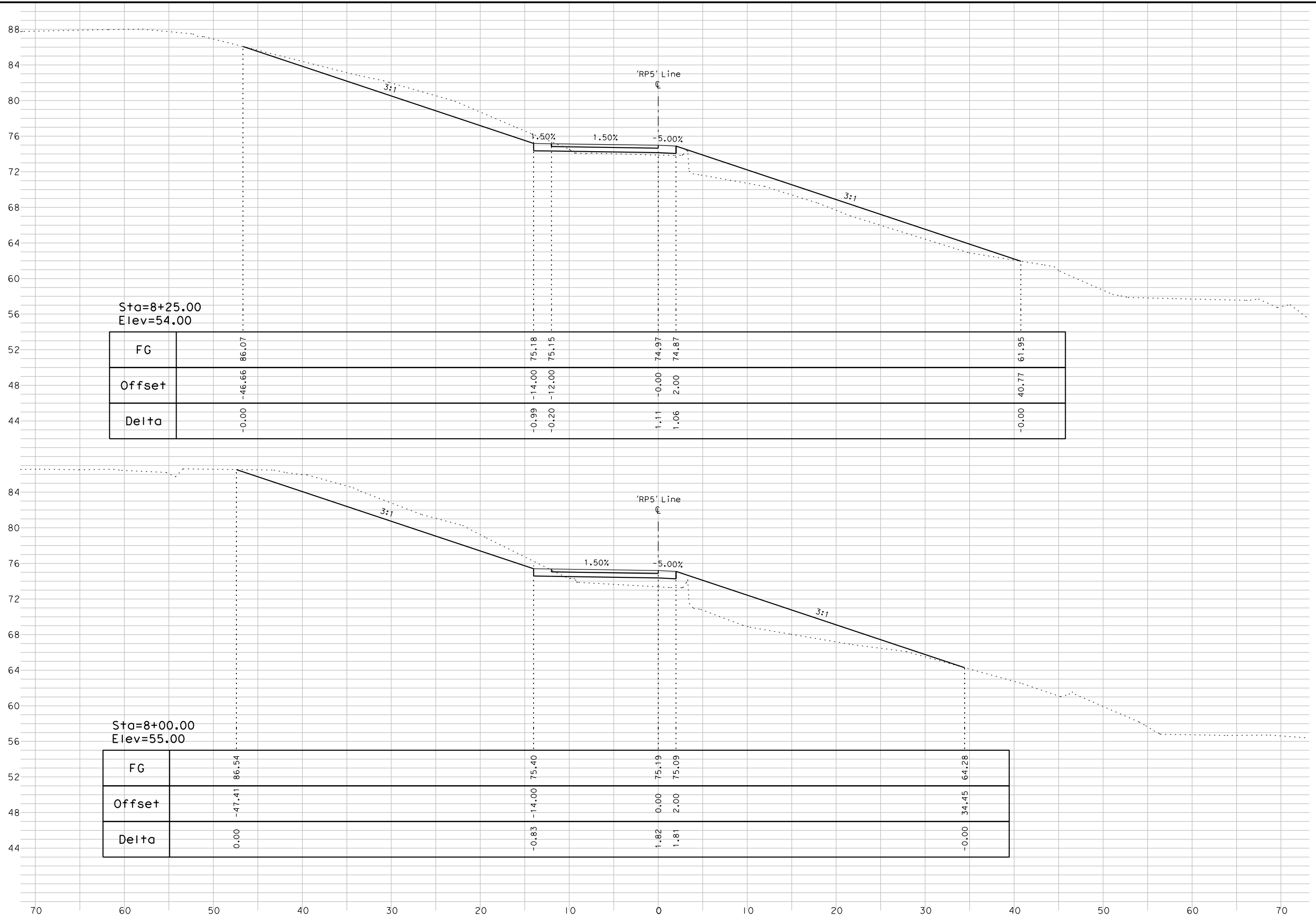
FG		87.110	75.58	75.37	64.75
Offset		-48.57	-14.00	0.00	33.46
Delta		-0.00	-1.49	1.59	0.00

Sta=7+75.00
Elev=56.00

FG		85.97	75.63	75.42	64.87
Offset		-26.10	-14.00	0.00	33.34
Delta		0.00	-0.28	1.53	0.00

DATE:	04/26/17	BY:	A.JL		
JOB NO.:	1858	SCALE:	1"=5' Horiz 1"=5' Vert		
PROJECT: 5th St. Bridge Replacement Project City of Yuba City					
CROSS SECTIONS					
File Name: 1858_S_X5_Sheet.dgn					
'RP5' Line - "Ramp #5"					
<table border="1"> <tr> <td>4</td> </tr> <tr> <td>21</td> </tr> </table>				4	21
4					
21					

042617 A.II



Sta=8+25.00
Elev=54.00

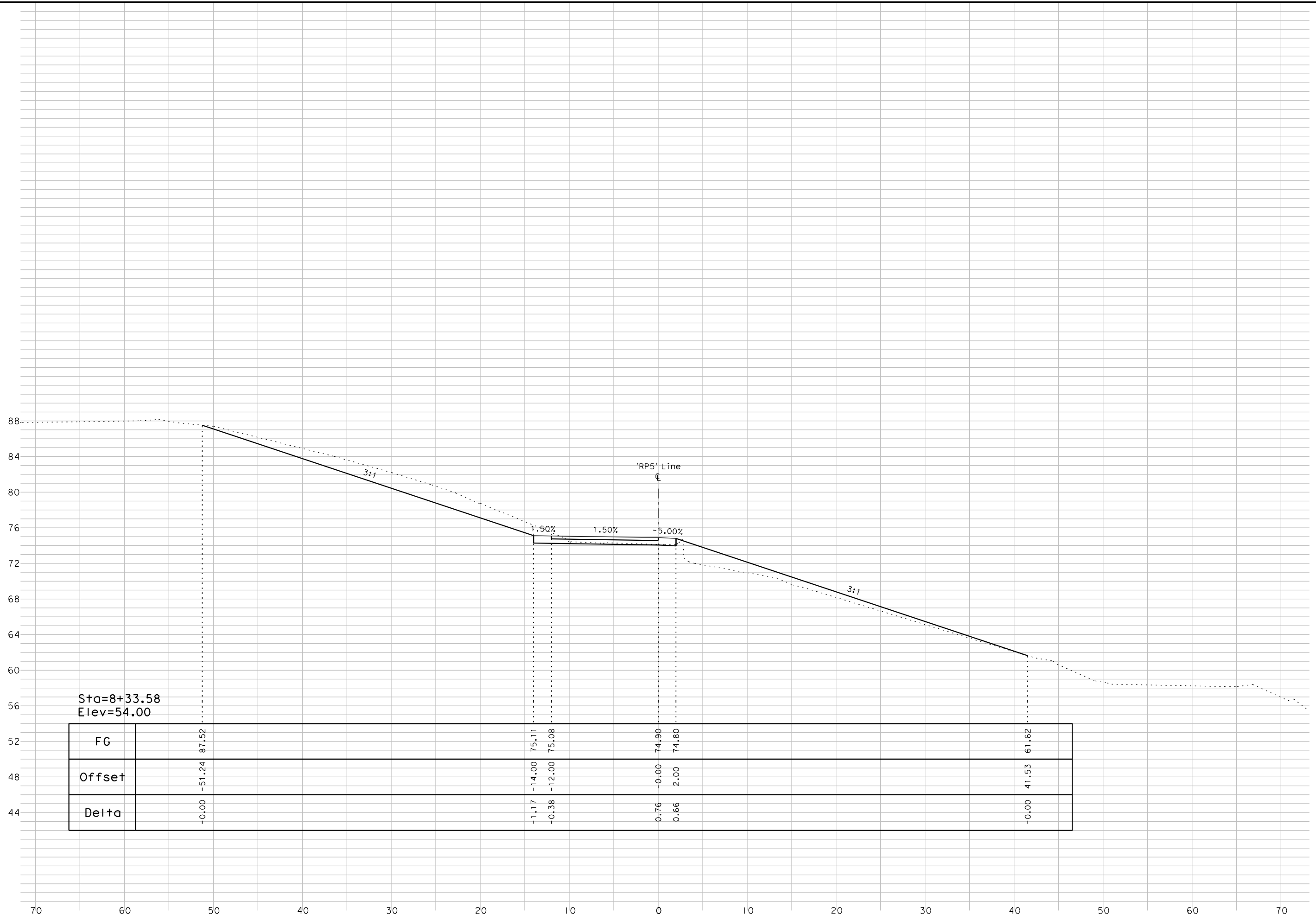
FG		86.07	75.18	75.15	74.97	74.87	61.95
Offset		-46.66	-14.00	-12.00	0.00	2.00	40.77
Delta		-0.00	-0.99	-0.20	1.11	1.06	-0.00

Sta=8+00.00
Elev=55.00

FG		86.54	75.40	75.19	75.09	64.28
Offset		-47.41	-14.00	0.00	2.00	34.45
Delta		0.00	-0.83	1.82	1.81	-0.00

DATE:	04/26/17	BY:	A.JL
JOB NO.:	1858	SCALE:	1"=5' Horz 1"=3' Vert.
PROJECT: 5th St. Bridge Replacement Project City of Yuba City			
CROSS SECTIONS			
File Name: 1858_RP5_X5_Sheet.dgn			
"RP5" Line - "Ramp #5"			
5 21			

042617.A.II



DATE: 04/26/17
BY: A.JL
JOB NO.: 1858
SCALE: 1"=5' Horz
1"=25' Vert.

PROJECT: 5th St. Bridge Replacement Project
City of Yuba City

CROSS SECTIONS
File Name: 1858_RP5_X5_Sheet.dgn

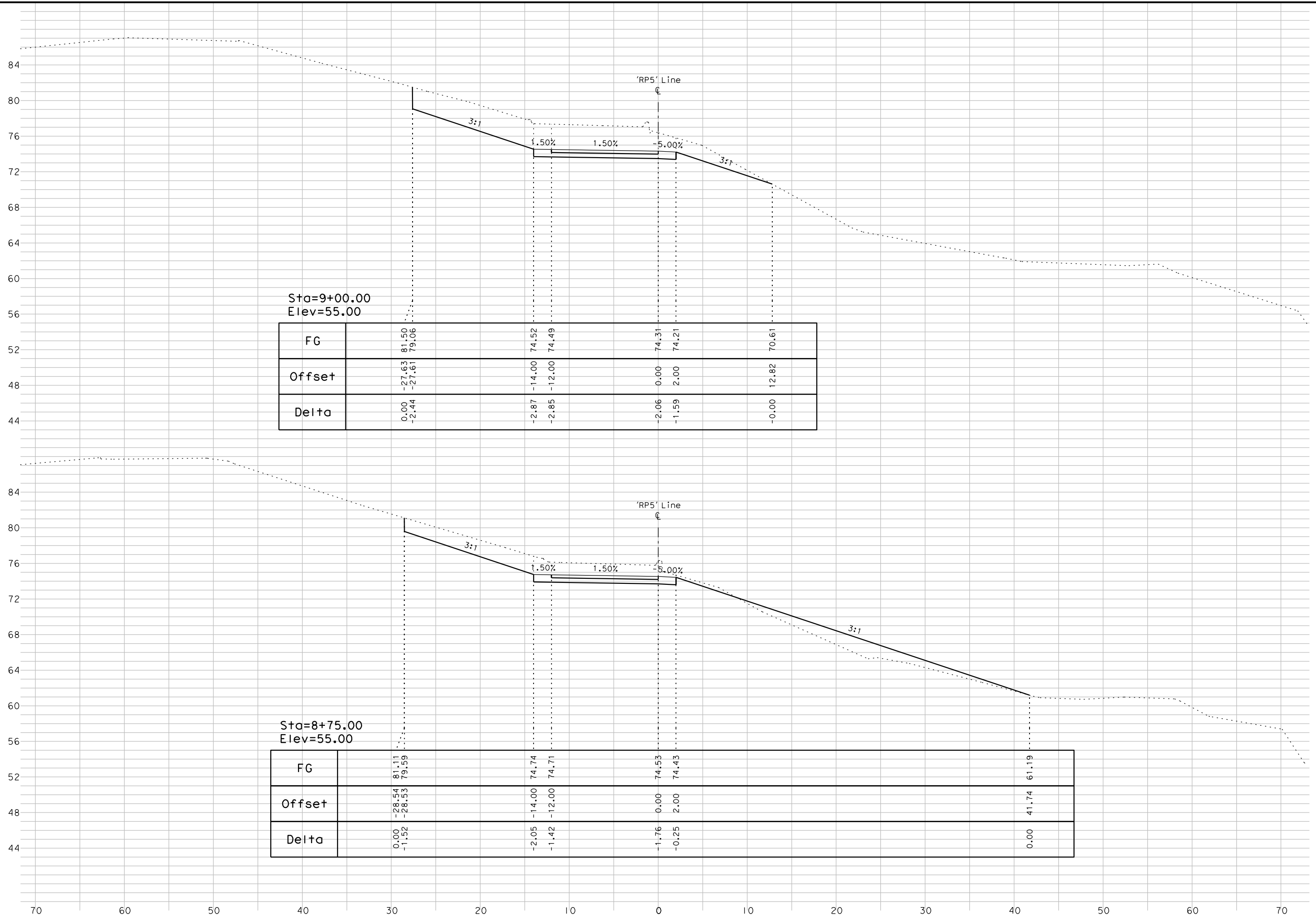
'RP5' Line - "Ramp #5"

04/26/17 A.JL



PROJECT:	5th St. Bridge Replacement Project	
	City of Yuba City	
DATE:	04/26/17	BY:
JOB NO.:	1858	A.JL
SCALE:		
1" = 5' Horiz		
1" = 3' Vert		
CROSS SECTIONS		
File Name: 1858_RP5_X5_Sheet.dgn		
'RP5' Line - "Ramp #5"		
7 21		

042617.A.II



Sta=9+00.00
Elev=55.00

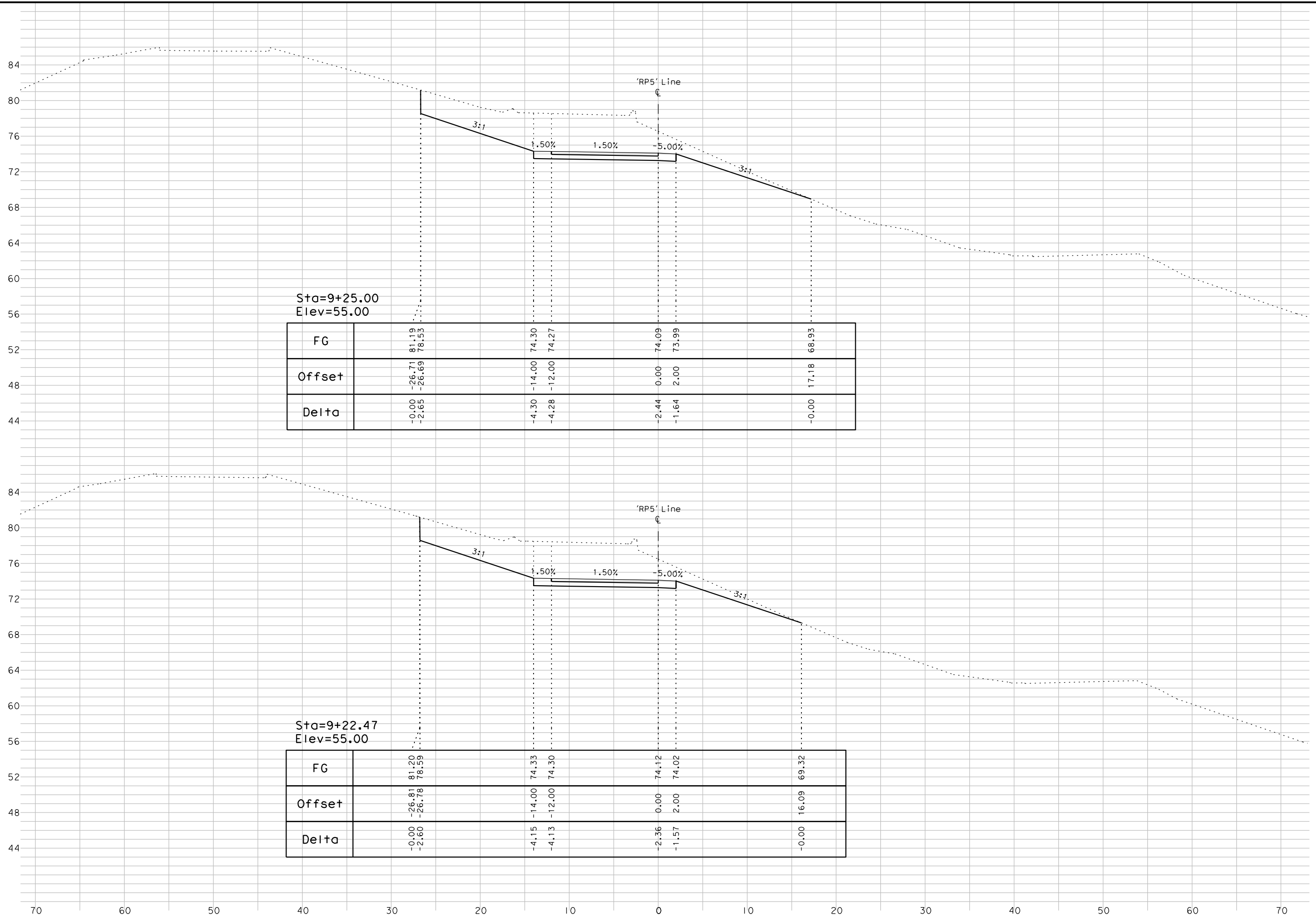
FG	81.50	79.06	74.52	74.49	74.31	74.21	70.61
Offset	-27.63	-27.61	-14.00	-12.00	0.00	2.00	12.82
Delta	0.00	-2.44	-2.87	-2.85	-2.06	-1.59	-0.00

Sta=8+75.00
Elev=55.00

FG	81.11	79.59	74.74	74.71	74.53	74.43	61.19
Offset	-28.54	-28.53	-14.00	-12.00	0.00	2.00	41.74
Delta	0.00	-1.52	-2.05	-1.42	-1.76	-0.25	0.00

DATE:	04/26/17	BY:	A.JL
JOB NO.:	1858	SCALE:	1"=5' Horiz 1"=5' Vert
PROJECT: 5th St. Bridge Replacement Project City of Yuba City			
CROSS SECTIONS			
File Name: 1858_RP5_X5_Sheet.dgn			
'RP5' Line - "Ramp #5"			
8		21	

042617 A.II



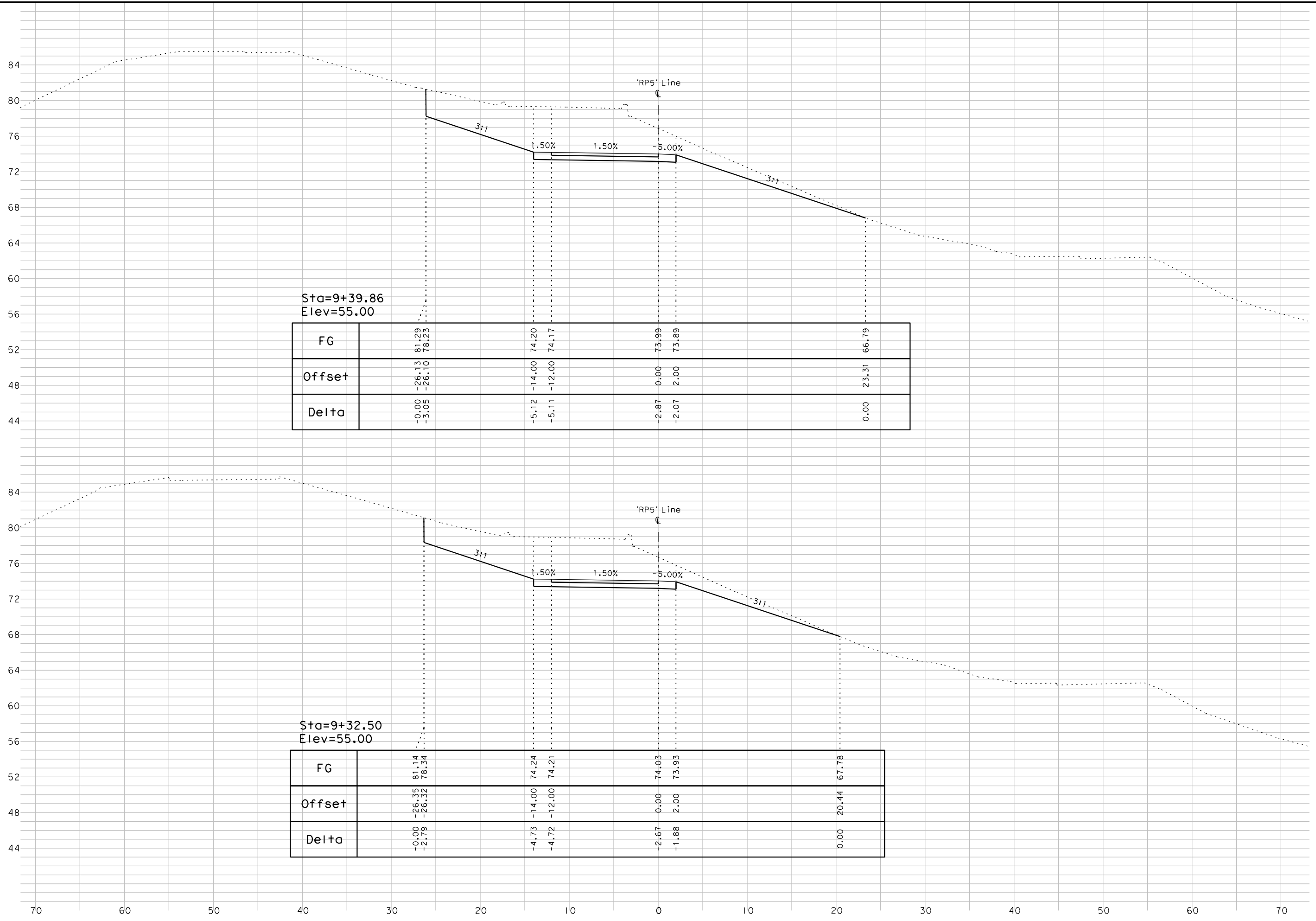
Sta=9+25.00
Elev=55.00

FG		81.19	74.30	74.09	68.93
Offset		-26.71	-14.00	0.00	17.18
Delta		-2.65	-4.30	-1.64	-0.00

Sta=9+22.47
Elev=55.00

FG		81.20	74.33	74.12	69.32
Offset		-26.81	-14.00	0.00	16.09
Delta		-2.60	-4.15	-1.57	-0.00

042617 A.II



Sta=9+39.86
Elev=55.00

FG		81.29	78.23	74.20	74.17	73.99	73.89	66.79
Offset		-26.13	-26.10	-14.00	-12.00	0.00	2.00	23.31
Delta		-0.00	-3.05	-5.12	-5.11	-2.87	-2.07	0.00

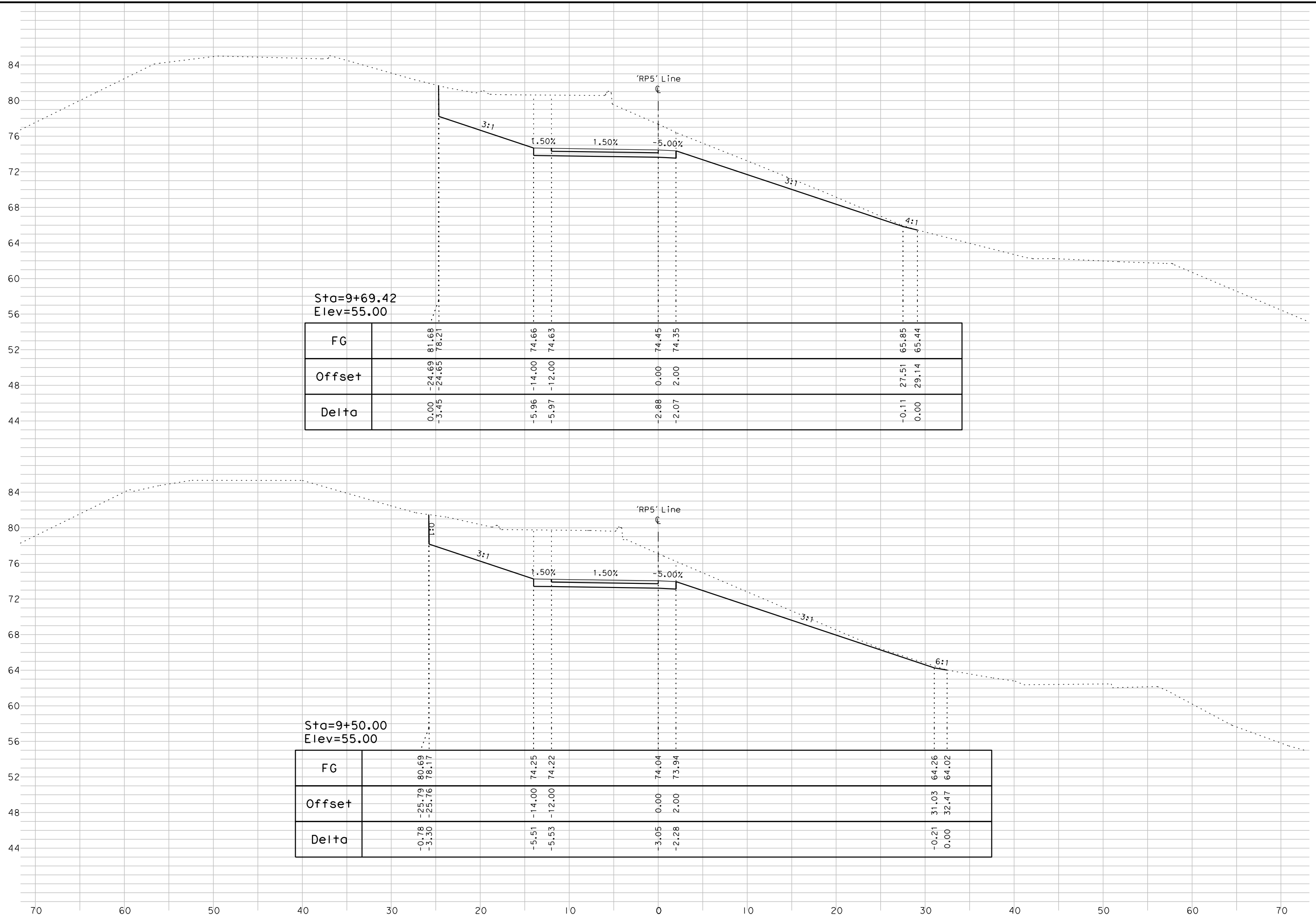
Sta=9+32.50
Elev=55.00

FG		81.14	78.34	74.24	74.21	74.03	73.93	67.78
Offset		-26.35	-26.32	-14.00	-12.00	0.00	2.00	20.44
Delta		-0.00	-2.79	-4.73	-4.72	-2.67	-1.88	0.00

PROJECT:	DATE:	BY:
	04/26/17	A.JL
CROSS SECTIONS	SCALE:	JOB NO.:
	1"=5' Horiz	
'RP5' Line - "Ramp #5"	FILE NAME:	1858_RP5_X5_Sheet.dgn
10		
21		

PROJECT: 5th St. Bridge Replacment Project
City of Yuba City

042617 A.II



PROJECT: 5th St. Bridge Replacement Project
 City of Yuba City

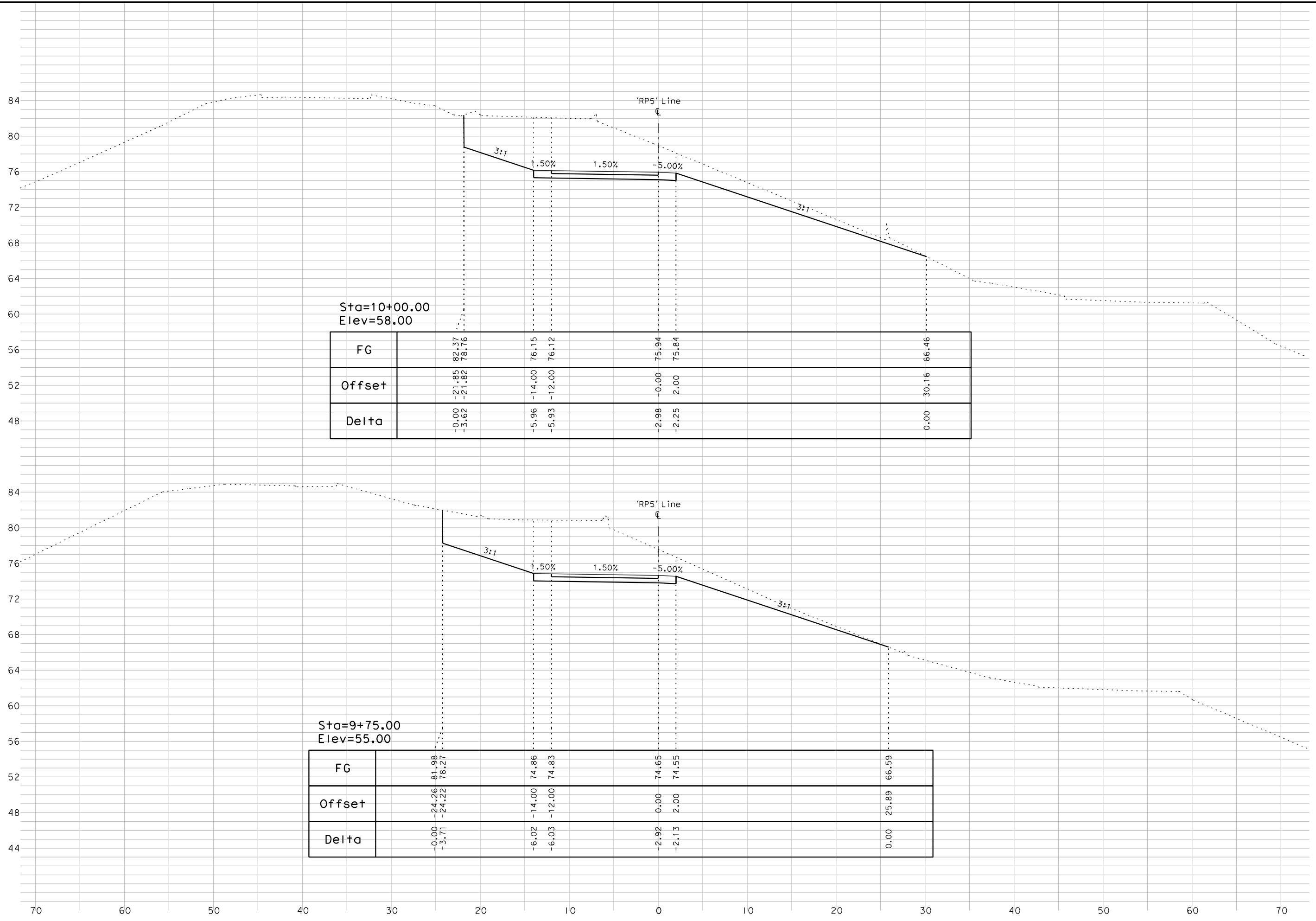
CROSS SECTIONS

'RP5' Line - "Ramp #5"

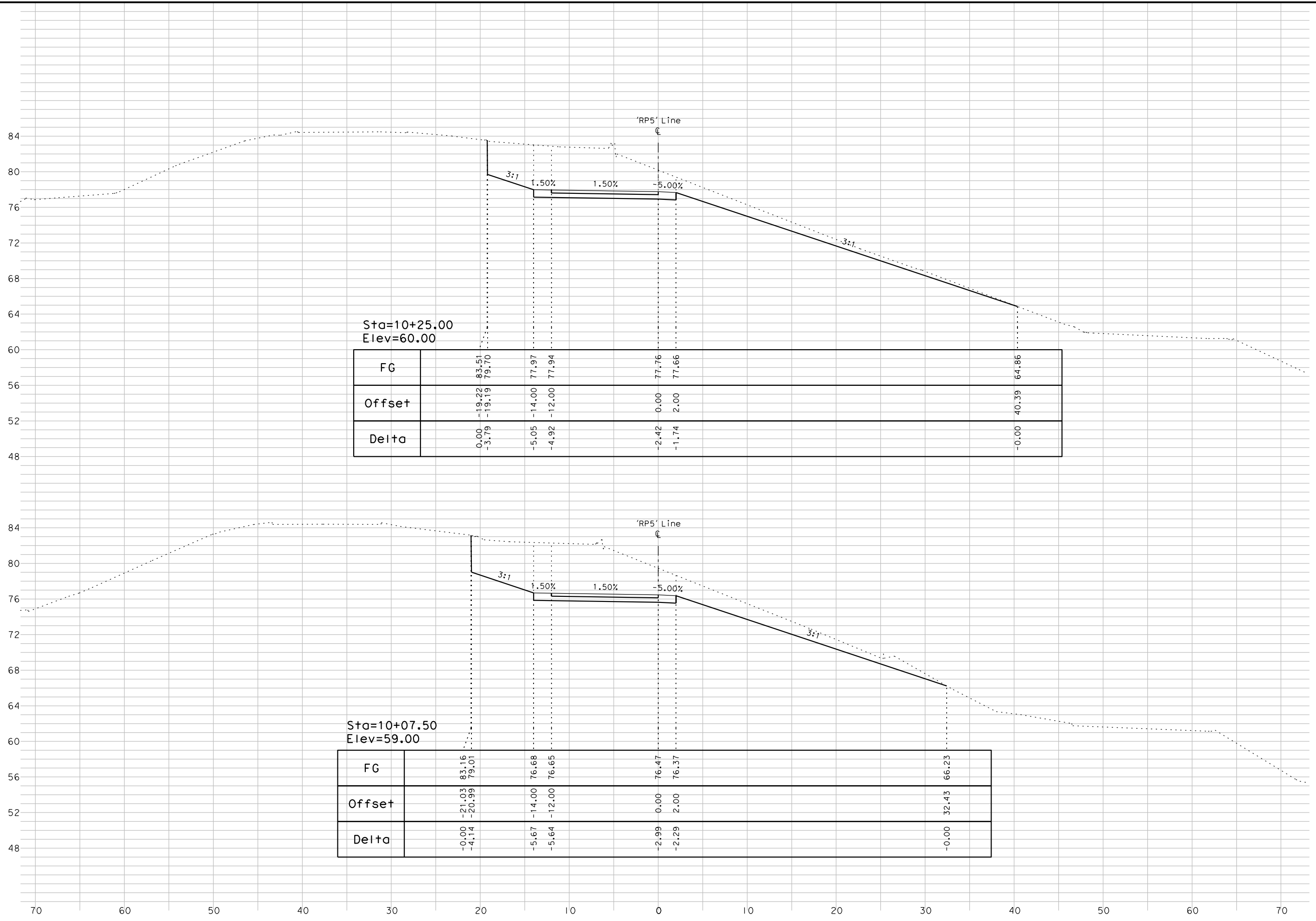
DATE: 04/26/17
 BY: A.J.L.
 JOB NO.: 1858
 SCALE: 1"=5' Horiz
 1"=5' Vert.

21

04/26/17 A.II



042617 A.II



Sta=10+25.00
Elev=60.00

FG	83.51	83.51	77.97	77.97	77.76	77.66	64.86
Offset	-19.22	-19.19	-14.00	-12.00	0.00	2.00	40.39
Delta	0.00	-3.79	-5.05	-4.92	-2.42	-1.74	-0.00

Sta=10+07.50
Elev=59.00

FG	83.16	83.16	76.68	76.65	76.47	76.37	66.23
Offset	-21.03	-20.99	-14.00	-12.00	0.00	2.00	32.43
Delta	-0.00	-4.14	-5.67	-5.64	-2.99	-2.29	-0.00

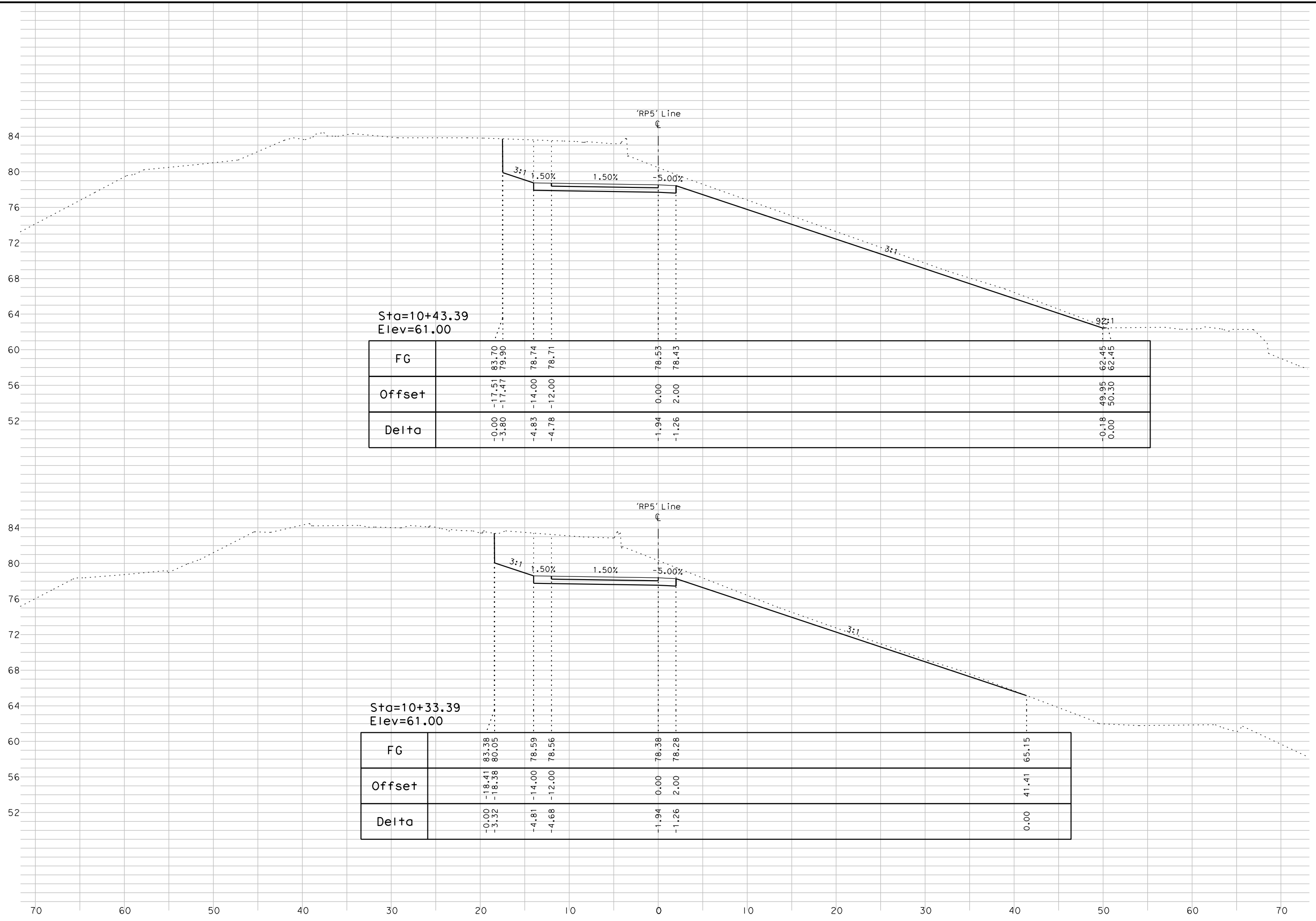
DATE: 04/26/17
BY: A.J.L.
JOB NO.: 1858
SCALE: 1"=5' Horiz
1"=5' Vert

PROJECT: 5th St. Bridge Replacment Project
City of Yuba City

CROSS SECTIONS
File Name: 1858_RP5_X5_Sheet.dgn

'RP5' Line - "Ramp #5"

042617_A.II



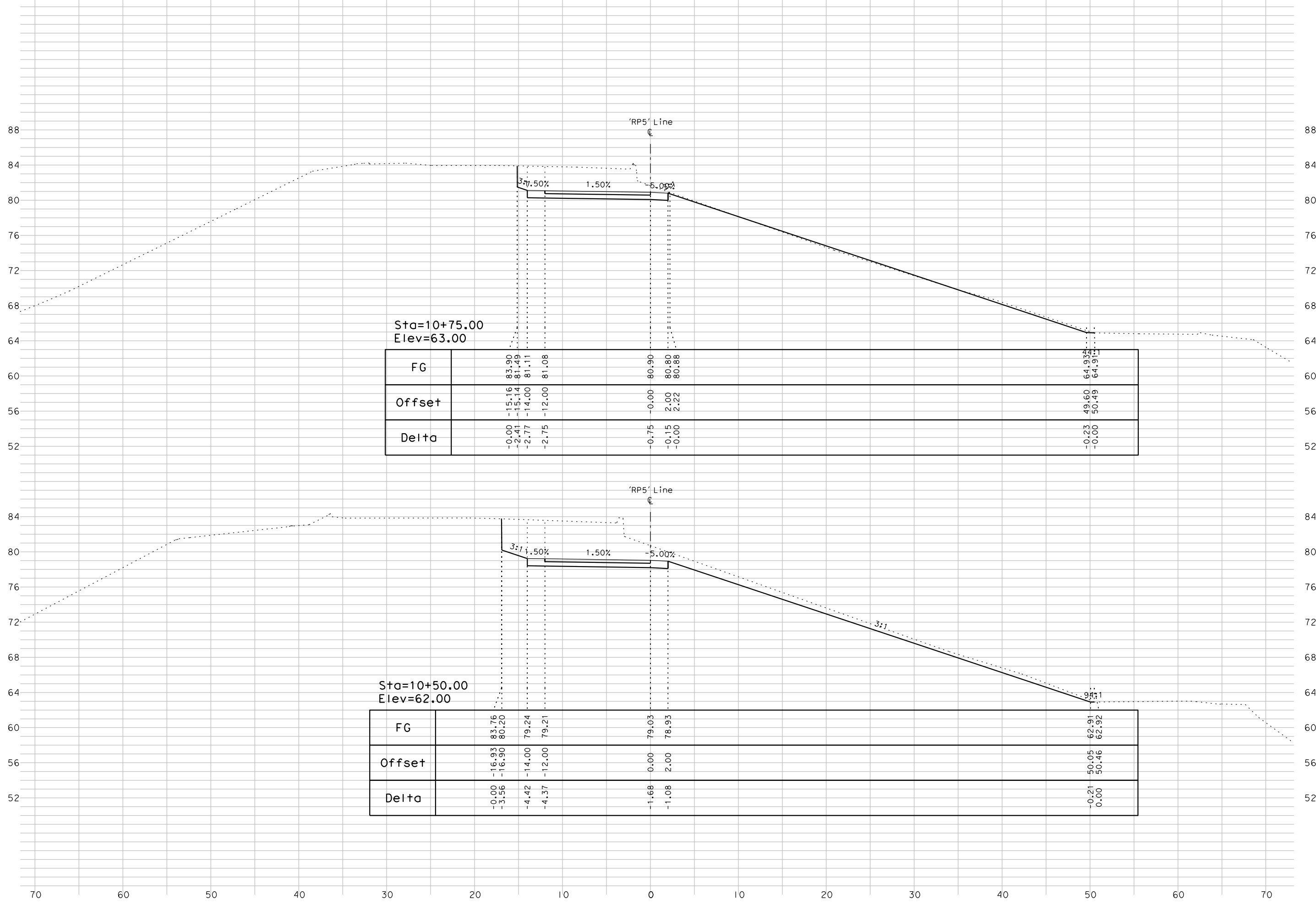
Sta=10+43.39
Elev=61.00

FG		83.70	83.70	78.74	78.74	78.53	78.53	62.45	62.45
Offset		-17.51	-17.47	-14.00	-12.00	0.00	2.00	49.95	50.50
Delta		-0.00	-3.80	-4.83	-4.78	-1.94	-1.26	-0.18	0.00

Sta=10+33.39
Elev=61.00

FG		83.38	83.38	78.59	78.56	78.38	78.28	65.15
Offset		-18.41	-18.38	-14.00	-12.00	0.00	2.00	41.41
Delta		-0.00	-3.32	-4.81	-4.68	-1.94	-1.26	0.00

04/26/17 A.J.I.



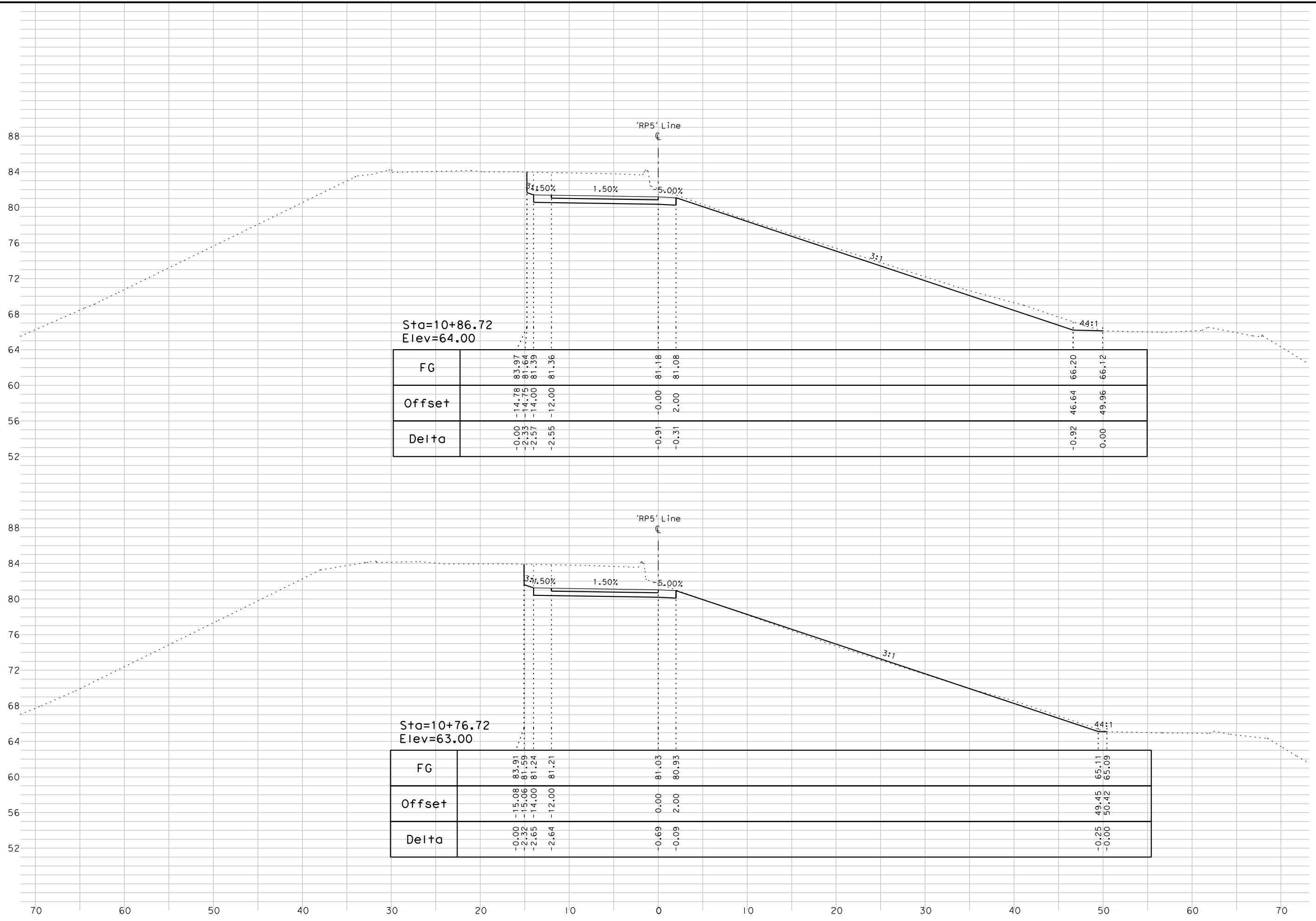
DATE:	04/26/17
BY:	A.J.I.
JOB NO.:	1858
SCALE:	1"=5' Horiz 1"=5' Vert.

PROJECT: 5th St. Bridge Replacement Project
City of Yuba City

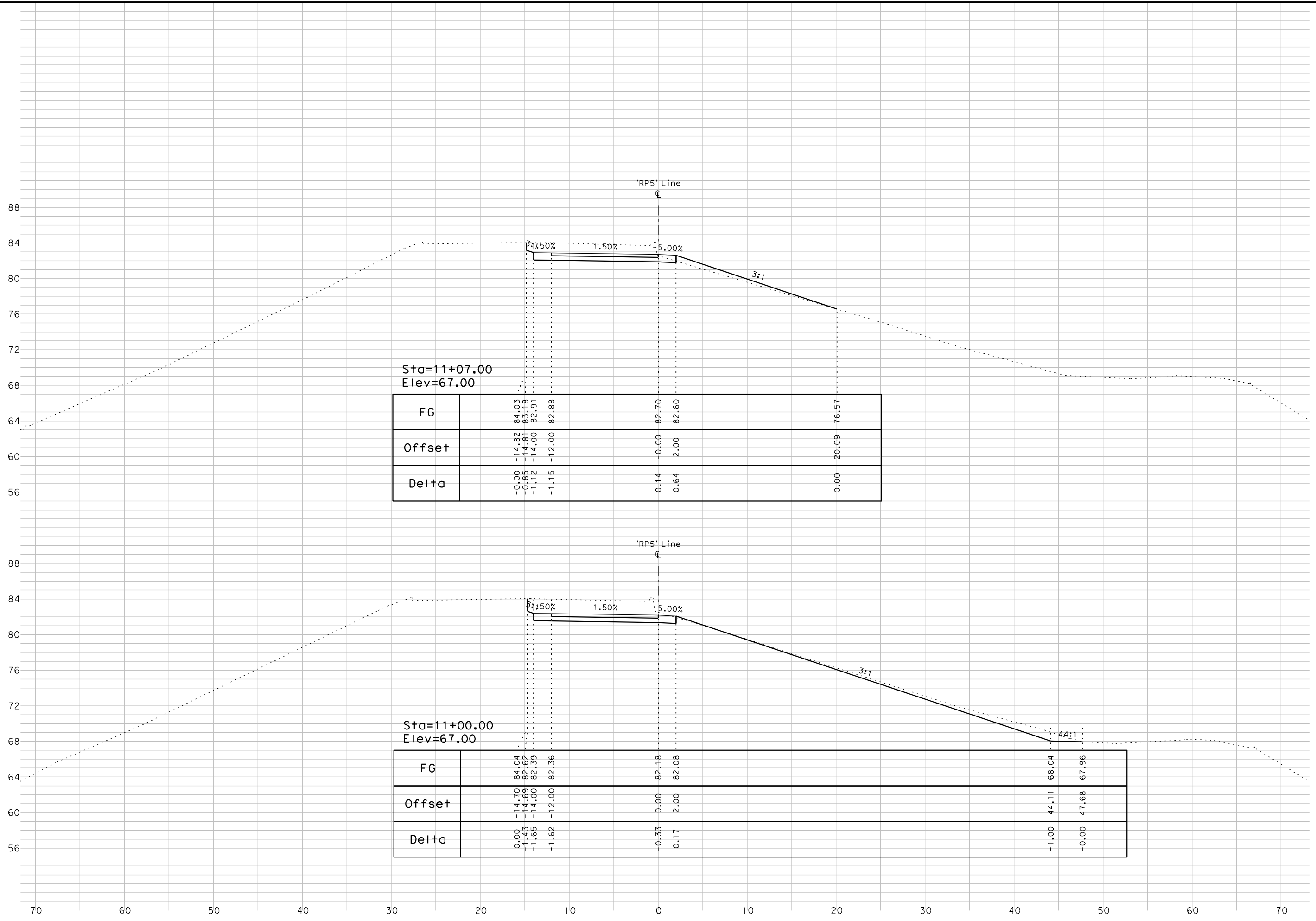
CROSS SECTIONS
File Name: 1858_RP5_X5_Sheet.dgn

'RP5' Line - "Ramp #5"

042617_A.II



042617 A.II



Sta=11+07.00
Elev=67.00

FG			84.03	83.18	82.70	82.60	76.57
Offset		-14.82	-14.81	-14.00	-12.00	-0.00	20.09
Delta		-0.00	-0.85	-1.12	-1.15	0.14	0.64

Sta=11+00.00
Elev=67.00

FG			84.04	82.62	82.18	82.08	68.04	67.96
Offset		-14.70	-14.69	-14.00	-12.00	-0.00	2.00	44.11
Delta		0.00	-1.43	-1.65	-1.62	-0.33	0.17	-1.00

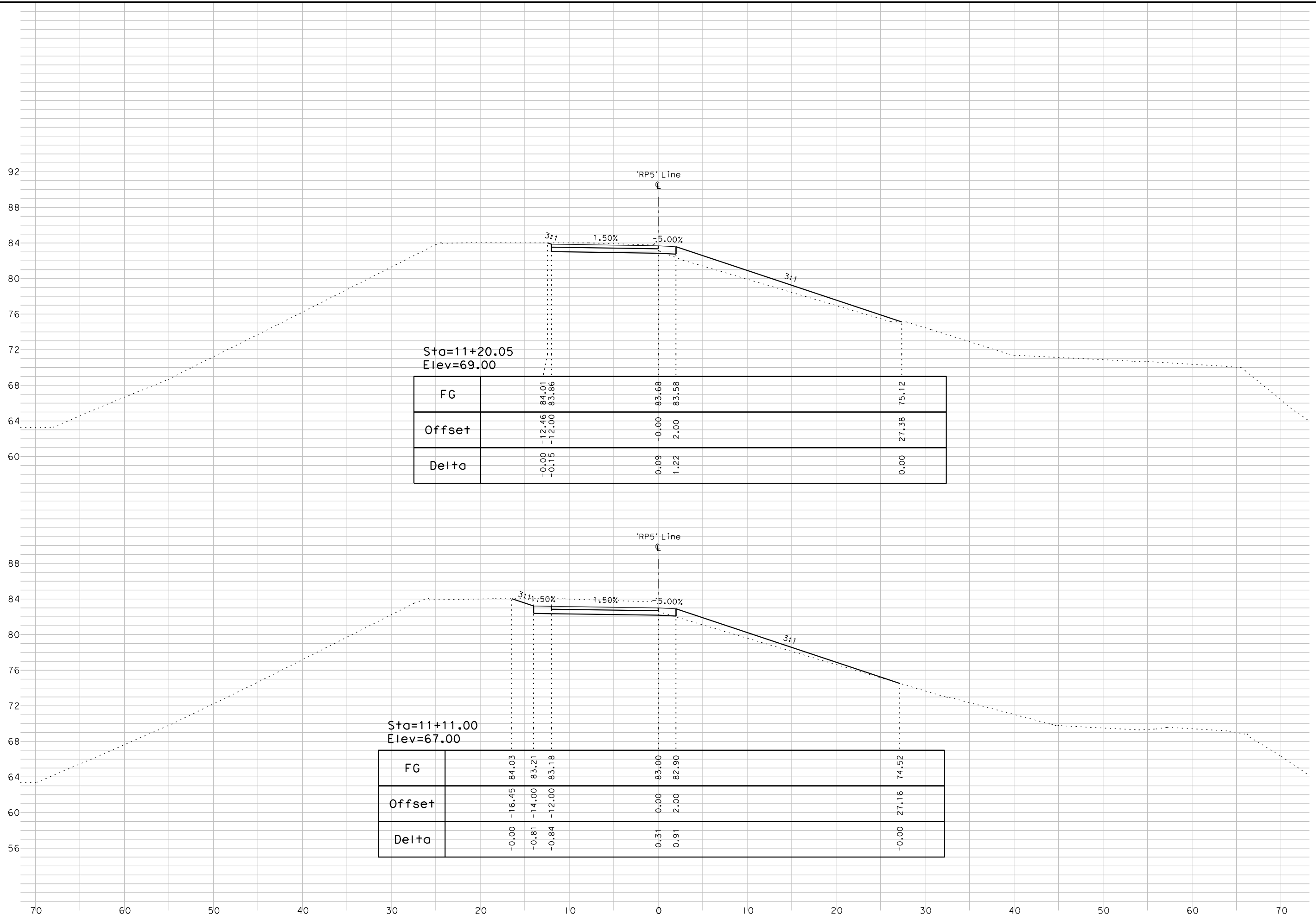
DATE: 04/26/17
BY: A.JL
JOB NO.: 1858
SCALE: 1"=15' Horiz
1"=3' Vert

PROJECT: 5th St. Bridge Replacement Project
City of Yuba City

CROSS SECTIONS
File Name: 1858_RP5_X5_Sheet.dgn

'RP5' Line - "Ramp #5"

042617_A.II



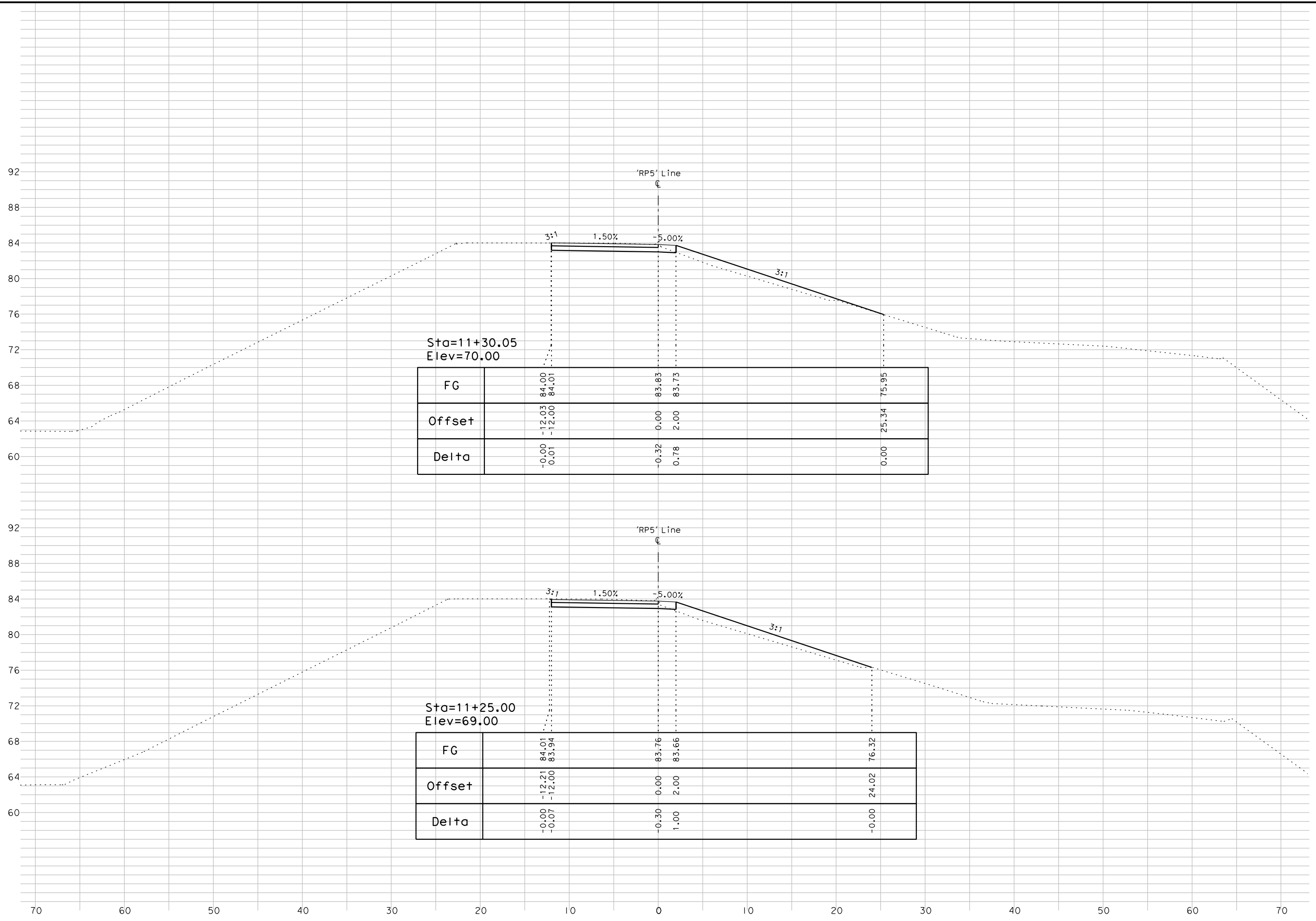
DATE: 04/26/17
 BY: A.JL
 JOB NO.: 1858
 SCALE: 1"=5' Horz
 1"=25' Vert.

PROJECT: 5th St. Bridge Replacement Project
 City of Yuba City

CROSS SECTIONS
 File Name: 1858_RP5_X5_Sheet.dgn

'RP5' Line - "Ramp #5"

042617_A.II



Sta=11+30.05
Elev=70.00

FG	84.00	84.01	83.83	83.73	75.95
Offset	-12.03	-12.00	0.00	2.00	25.34
Delta	-0.00	0.01	-0.32	0.78	0.00

Sta=11+25.00
Elev=69.00

FG	84.01	83.94	83.76	83.66	76.32
Offset	-12.21	-12.00	0.00	2.00	24.02
Delta	-0.00	-0.07	-0.30	1.00	-0.00

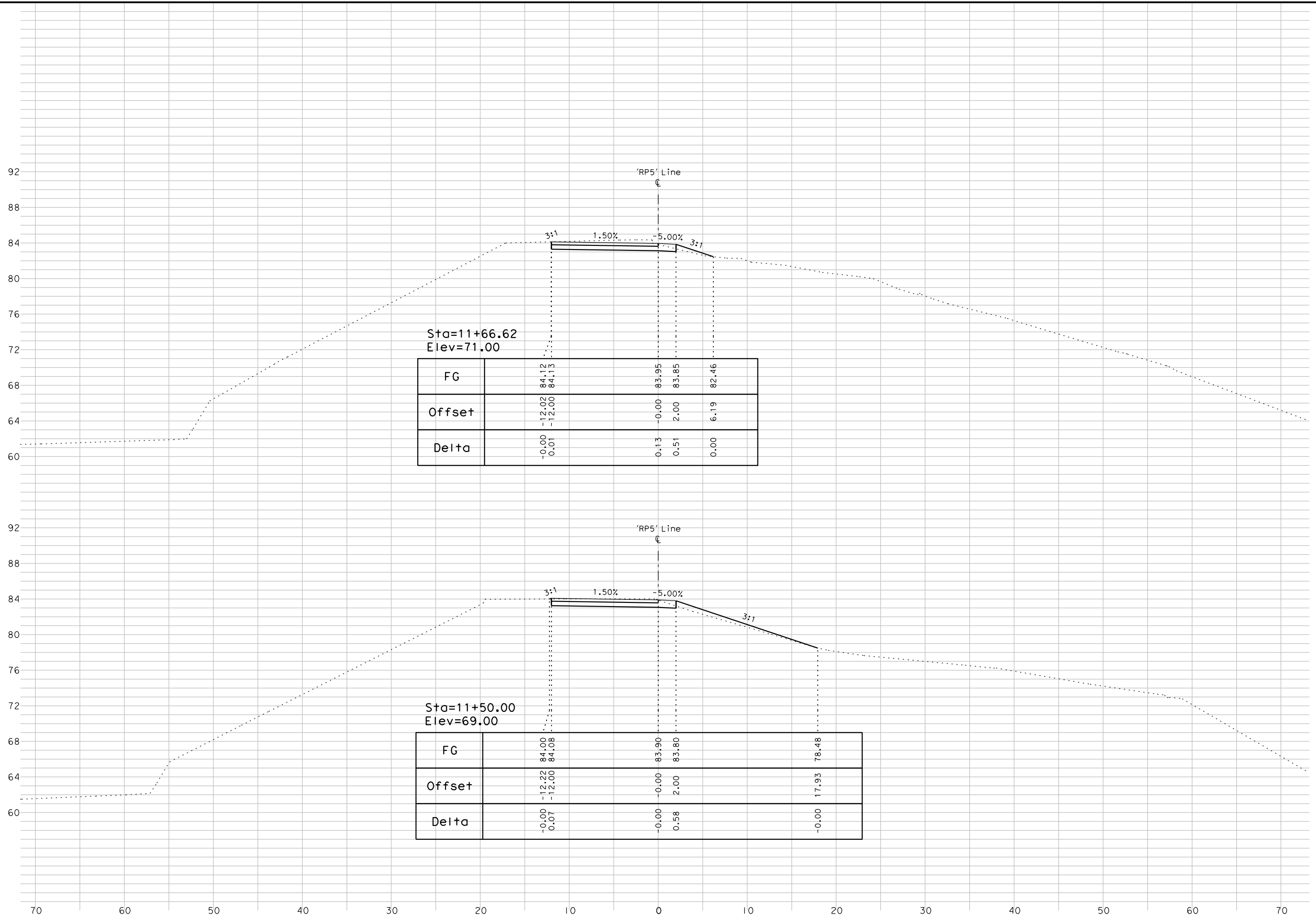
DATE: 04/26/17
BY: A.J.L.
JOB NO.: 1858
SCALE: 1"=5' Horz
1"=5' Vert.

PROJECT: 5th St. Bridge Replacement Project
City of Yuba City

CROSS SECTIONS
File Name: 1858_RP5_X5_Sheet.dgn

'RP5' Line - "Ramp #5"

042617 A.II



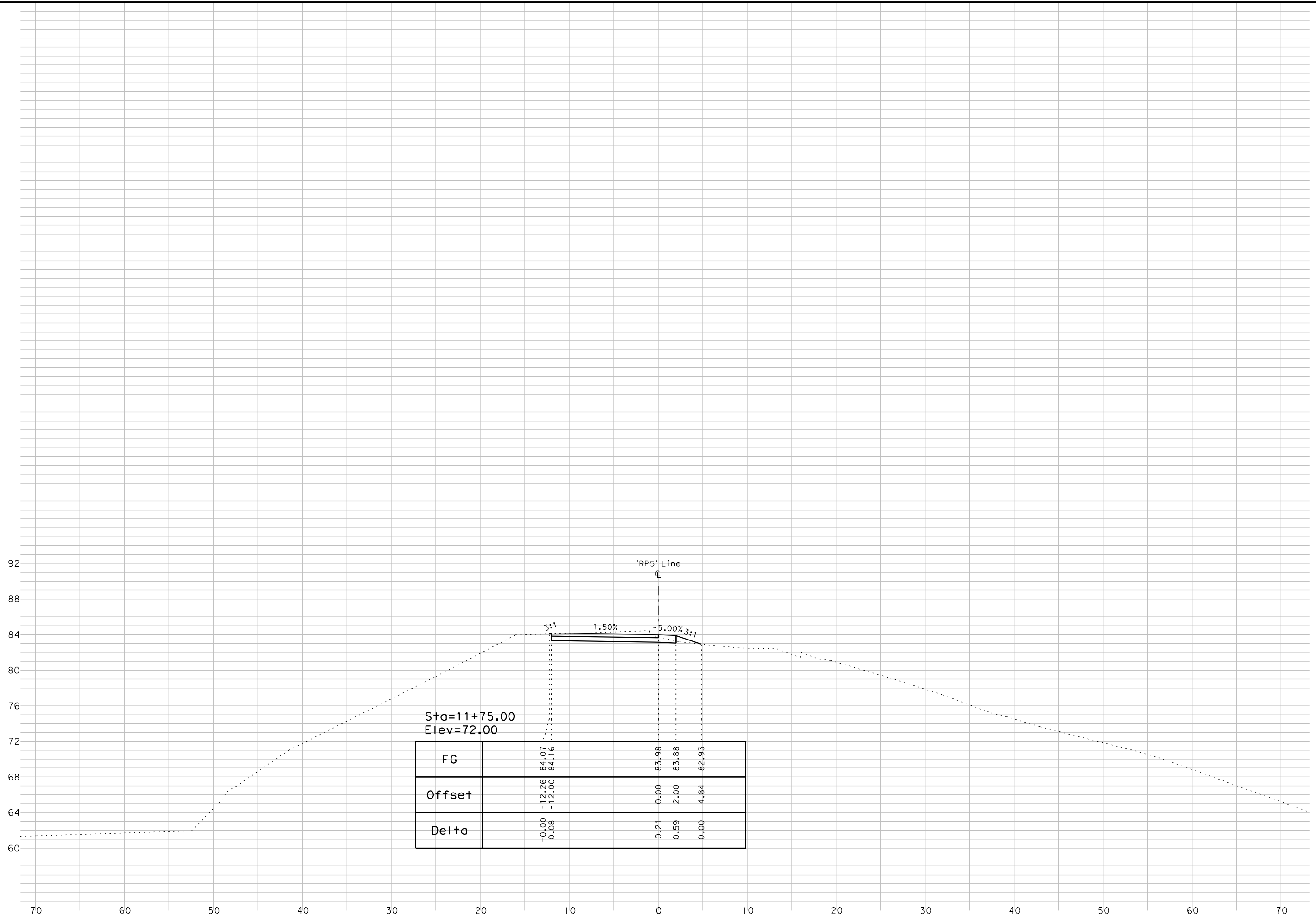
Sta=11+66.62
Elev=71.00

FG	-0.00	-12.02	84.12	84.13	0.00	83.95	83.85	82.46
Offset	0.01	-12.00	-12.00	0.00	2.00	6.19		
Delta								

Sta=11+50.00
Elev=69.00

FG	-0.00	-12.22	84.00	84.08	0.00	83.90	83.80	78.48
Offset	0.07	-12.00	-12.00	0.00	2.00	17.93		
Delta								

042617.A.II



DATE: 04/26/17
 BY: A.JL
 JOB NO.: 1858
 SCALE: 1"=5' Horz
 1"=25' Vert.

PROJECT: 5th St. Bridge Replacement Project
 City of Yuba City

CROSS SECTIONS
 File Name: 1858_RP5_X5_Sheet.dgn

'RP5' Line - "Ramp #5"

21
 21